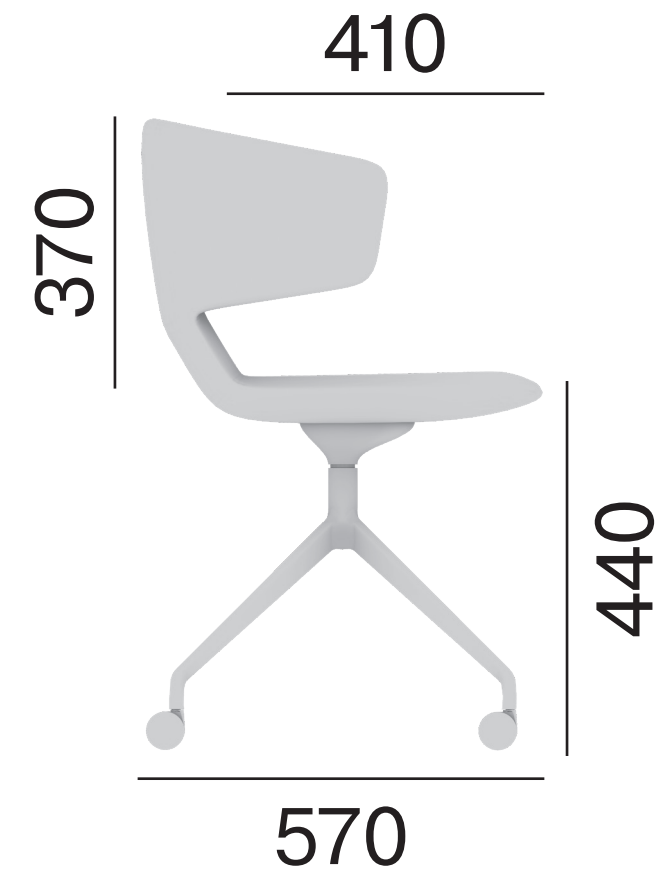
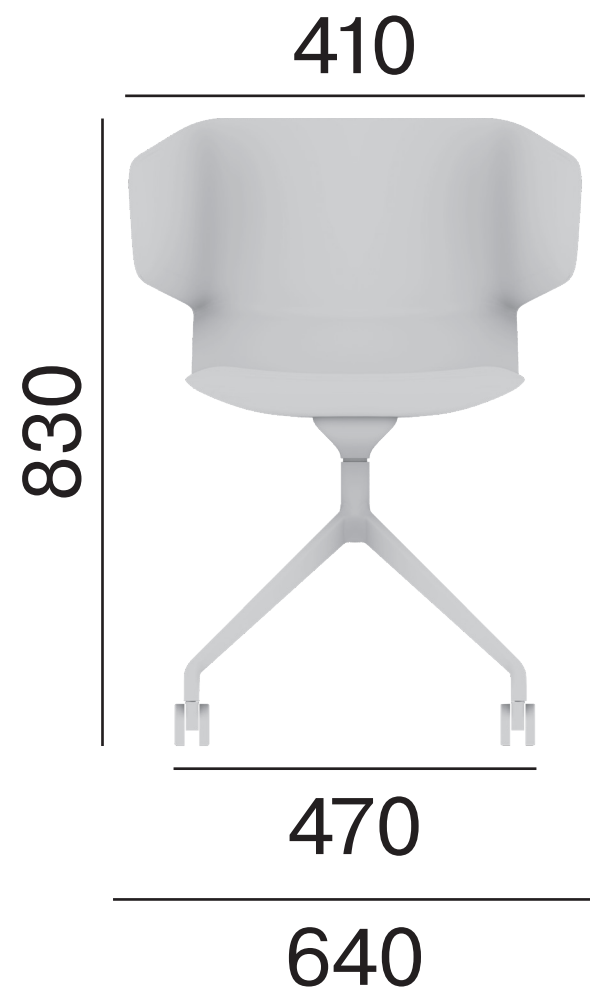
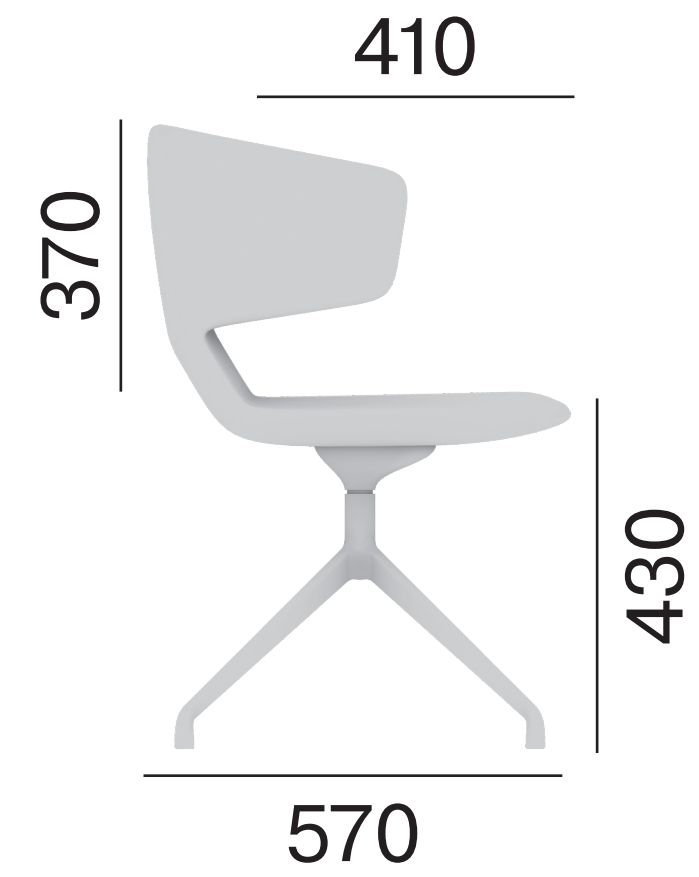
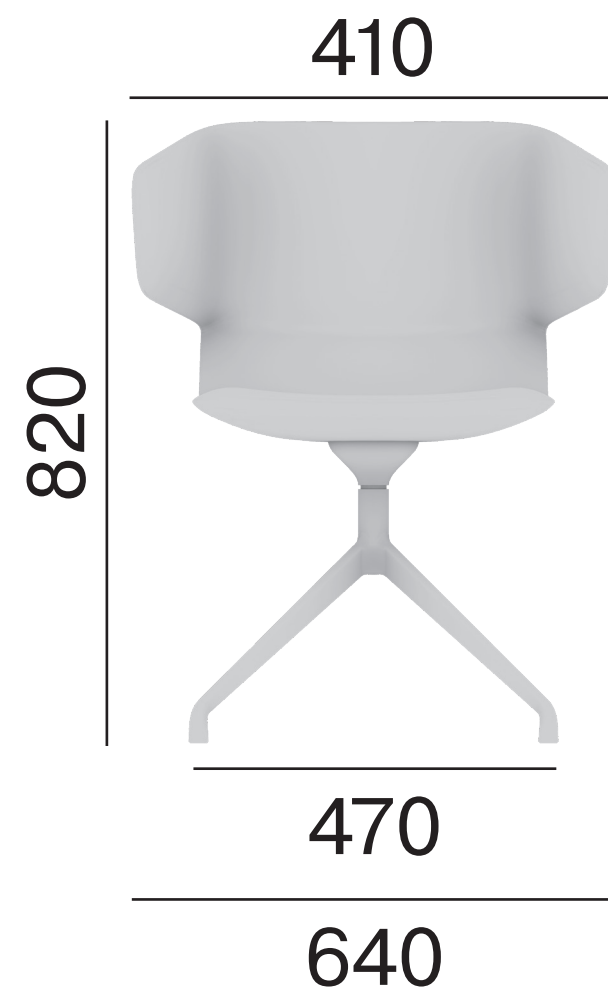


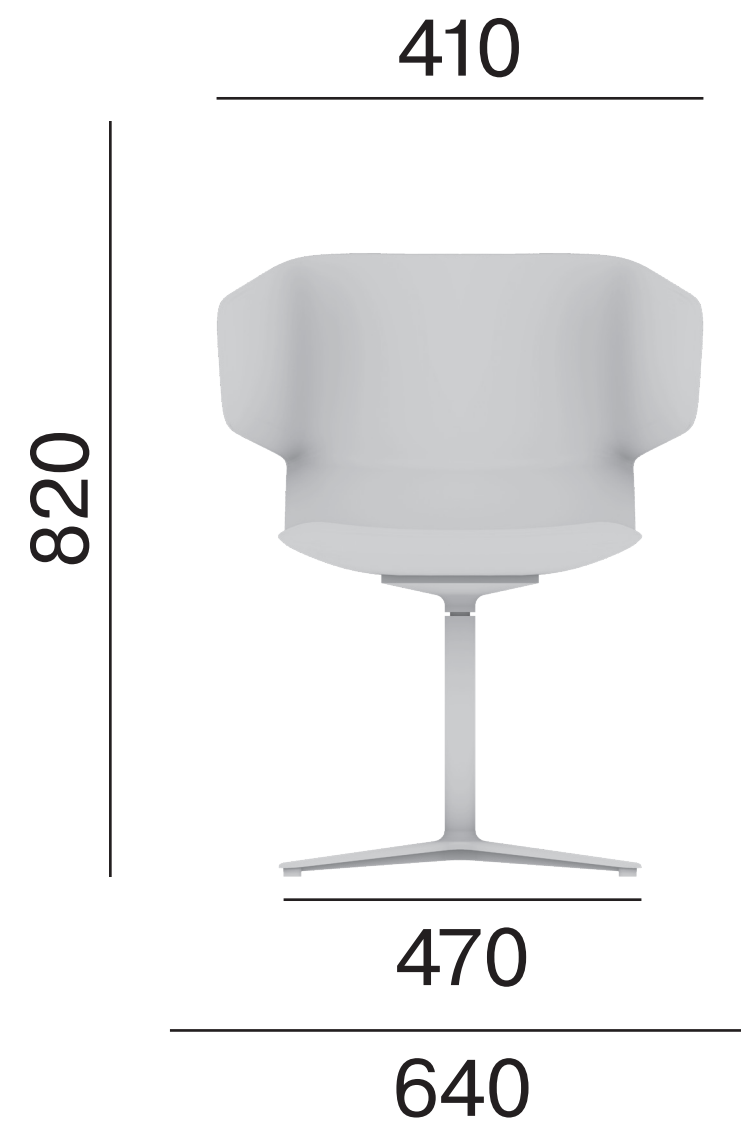
# LD Seating

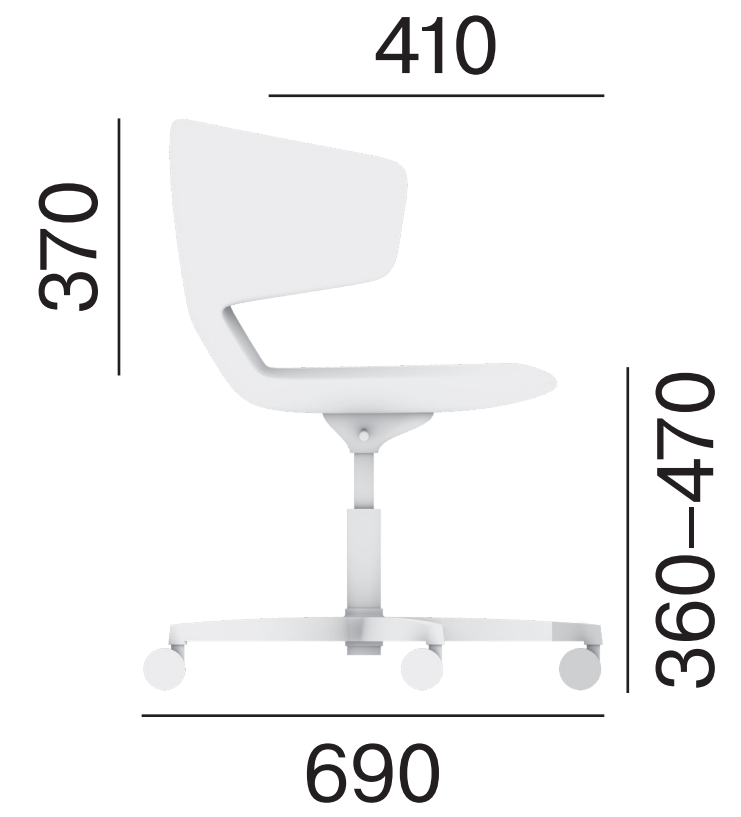
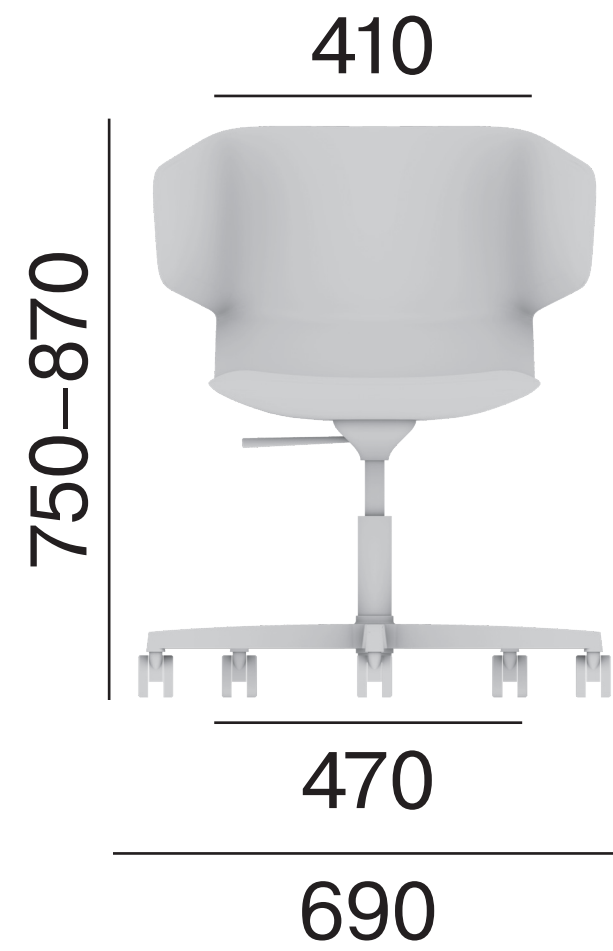
**Rozměry**  
**Dimensions**  
**Maße**  
**Dimensions**

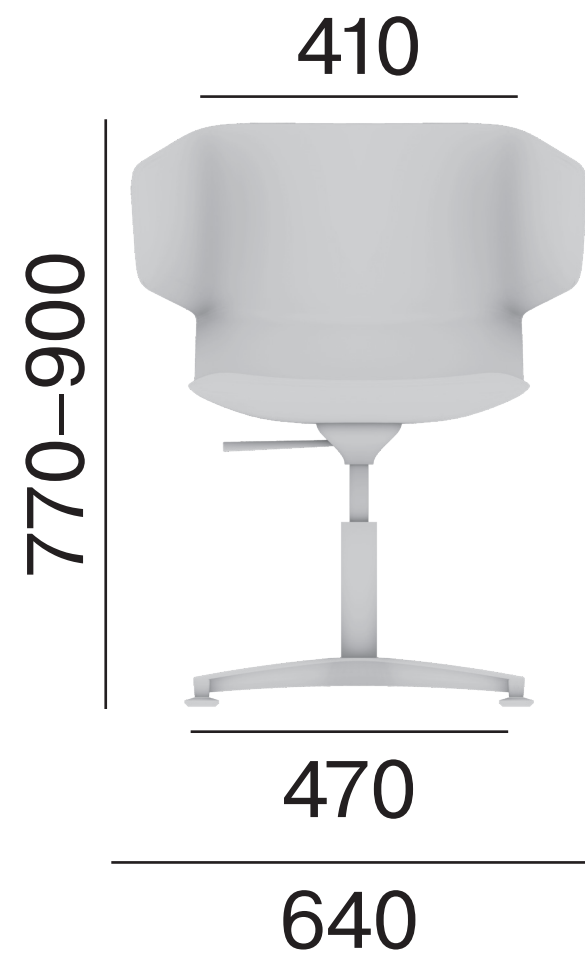
# Flexi P

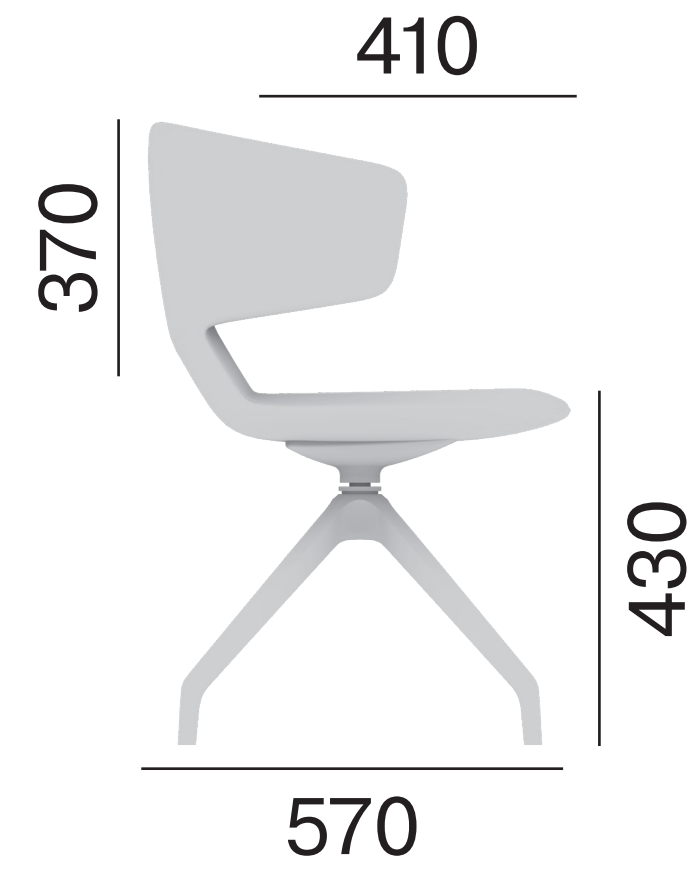
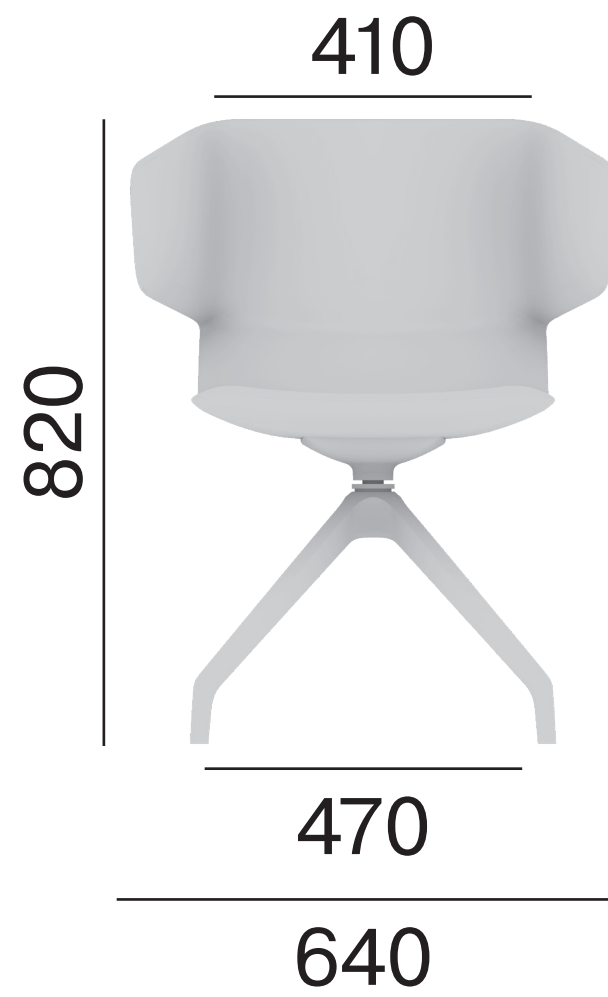


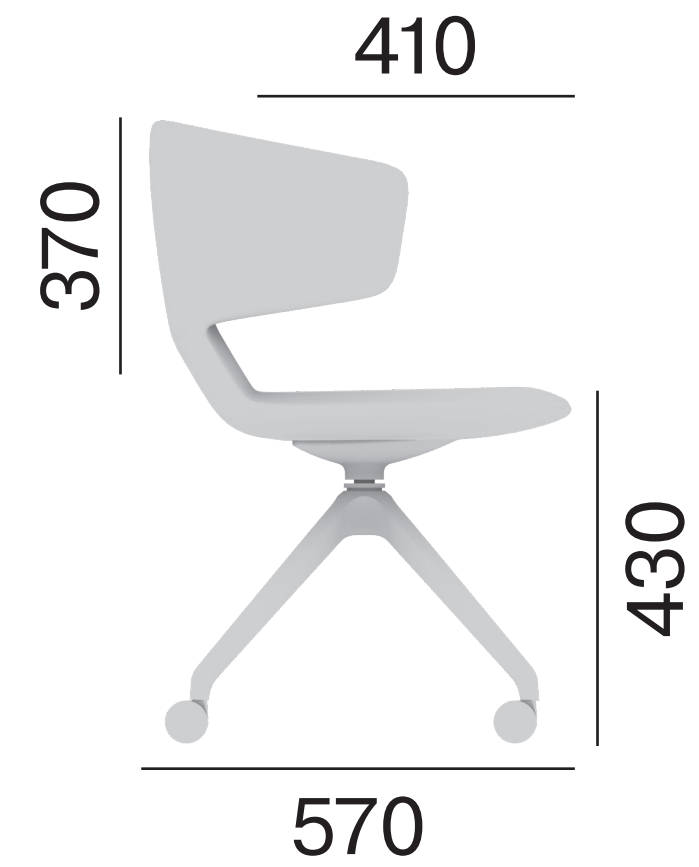
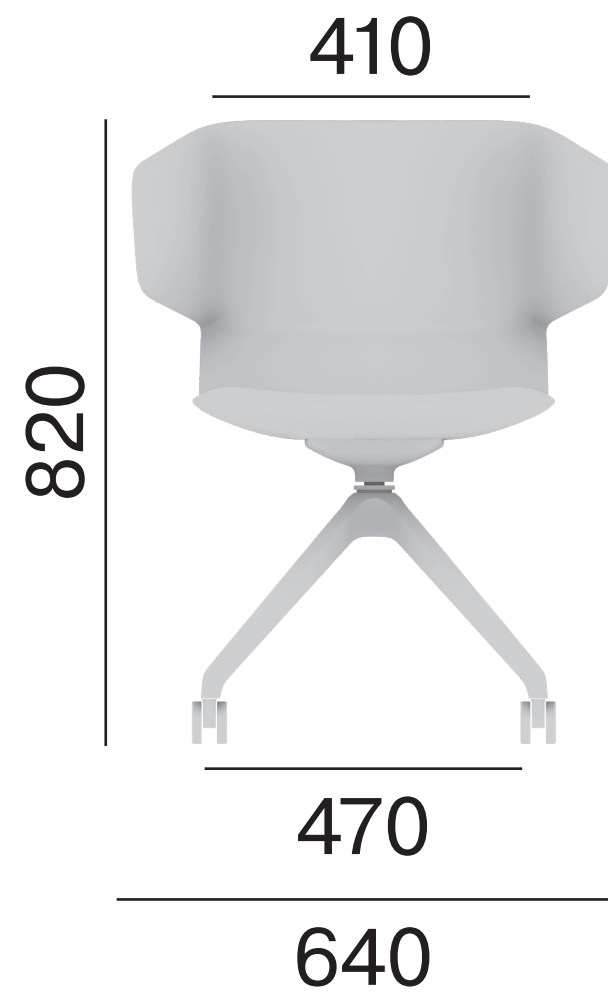














**LD  
Seating**

**Flexi P FP-D**

